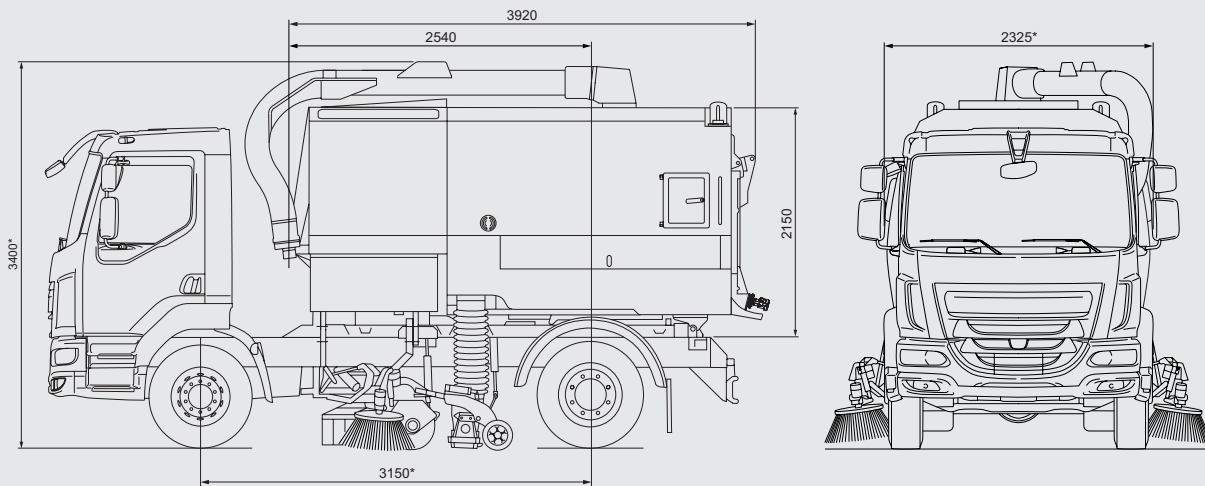


Bucher MaxPowa V65



Dimensions

Length (cowl and hopper)	3920 mm
Width*	2325 mm
Height*	3400 mm
Wheelbase*	3150 mm nominal
Sweeping path of suction nozzle and channel brush	1300 mm
Sweeping path with roller brush	2400 mm
Sweeping path for double-sided pick up	3600 mm

Noise level cab

<75 dB(A) generally
(dependent on chassis selection)

Alternative drives

Semi-hydrostatic	V65m
Hydrostatic	V65h

Chassis

GVM	13 - 18 tonnes
-----	----------------

Diesel fuel tank

Capacity	up to 190 l
----------	-------------

Auxiliary engine

	V65t
Standard:	JCB Dieselmex 430 NRMM Stage 5
Gross power	55 kW @ 2200 rpm
Max torque	440 Nm @ 1150 rpm
Option:	JCB Dieselmex 448 NRMM Stage 5
Gross power	97 kW @ 2200 rpm
Max torque	550 Nm @ 1500 rpm
Option:	JCB Dieselmex 444 NRMM Stage 3a**
Gross power	85 kW @ 2200 rpm
Max torque	440 Nm @ 1300 rpm

* Dependent on chassis and/or option selected
** Not for EU. 24v only

Features



Easiclean
for efficient cleaning of built up dirt in hard to reach areas.



HMI Centre console
with JVM screen which can be adjusted to suit the operators preferred position, featuring cup holders and USB charging points.



Top Mounted Wanderhose
with 280° rotation, available in a 150mm or 200mm diameter can be used to empty gullies safely from the kerbside.

Bucher MaxPowa V65

Controls

Centre cab mounted master control panel with JVM providing information on a wide range of sweeper functions plus data capture download. Up to four optional cameras can also be viewed on the JVM screen. Separate palm rest controller housing controls for the main sweeping functions is mounted on the door side.

Exhauster fan

Operational speed variable between 1800 rpm - 3500 rpm to suit operation. V65t: Step-up gearbox ratio: 1.79:1

Channel brush

Quick release brush system with infinitely variable speed up to 160 rpm (cab controlled). Hi-visibility yellow brush plate and hose guide.

Nozzle

Cast aluminium nozzle with 250 mm diameter inlet and tool free adjustment.

Dust suppression system

Dust suppression sprays located at suction nozzle(s), channel brush(es) and across front of vehicle. Pressadrain water purging system. EU certified PM10 4* Certified.

Electrical system

24 volt. All external loom connections are full automotive IP67 rated.

Exterior noise / Sound power level

LWA 108 dB(A) for standard power engines measured in accordance with EC directive 2000/14/EC.

LWA 112 dB(A) for high power engines measured in accordance with EC directive 2000/14/EC.

Hopper

Body comprises of hopper & integral water tank. Fabricated from heavy duty stainless steel plate.

Water tight twin lock rear door latching system with de-watering function. Two body side access doors and side storage lockers.

Plug in hopper floor as transfer port for use as Streetwasher.

Rear discharge chute, automatic multi position body prop, twin caged rear beacons and LED worklights are standard features.

Hopper voided volume *** 6.5 m³

Discharge angle 54° nominal

Door opening angle 125° nominal

Water tank

Water tank incorporates anti-surge baffles and filled via a type 'A' water hydrant fill. A twin diaphragm pump runs continuously and is able to run dry.

Water capacity (Std.) 1545 l

Water capacity (Option) 2000 l

Cowl

Smoothflow cowl lined with frequency matched soundproofing material.

Brushes

Wide sweep brush Ø 406 mm

Width of wide sweep brush 1275 mm

Width of suction nozzle 750 mm

Channel brush (opt. Ø 650 mm) 500mm

Options

- Camera monitoring systems.
- Powathrust/Powasave.
- Pneumatic mesh shakers.
- Powascrub - wide sweep brush ground pressure device.
- Supawash - high pressure washing system, 32 l/min @ 100 bar, c/w hand lance & 15m hose reel.
- 6" or 8" boom mounted Wanderhose with power assist option.
- Combivac Nozzle
- Side Slide Brush

*** All Bucher Municipal Hopper Capacities are measured in accordance with European Standard EN 15429.

Bucher Municipal



For local contact and support, please scan the QR code or visit

buchermunicipal.com

Driven by better



Bucher Municipal E-Shop